

Signalling device for CombiController V 25-B+C/FS-SÜ and SurgeController V 25-B+C/FS-SÜ, V 20-C/FS-SÜ



Operation and fields of application

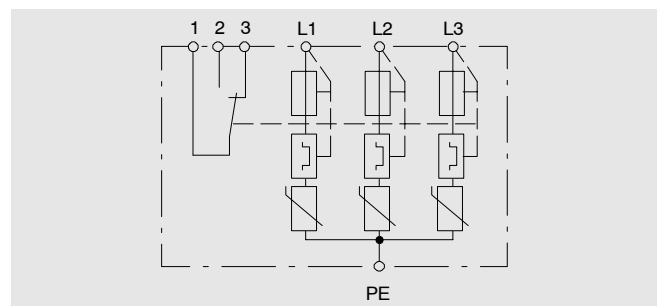
CombiControllers and SurgeControllers used in electrical installations with main fuses rated above 160 A and 125 A respectively are provided with their own fuses. To ensure permanent monitoring of the surge protection, signalling devices V 25-B+C/FS-SÜ and V 20-C/FS-SÜ are installed.

The control module monitors all three phases of the arrester and the serviceability of the series-connected fuses. Any drop in the supply voltage and any fault in a fuse, as well as tripping of an isolating device in the arrester module, is registered immediately and indicated by remote signalling.

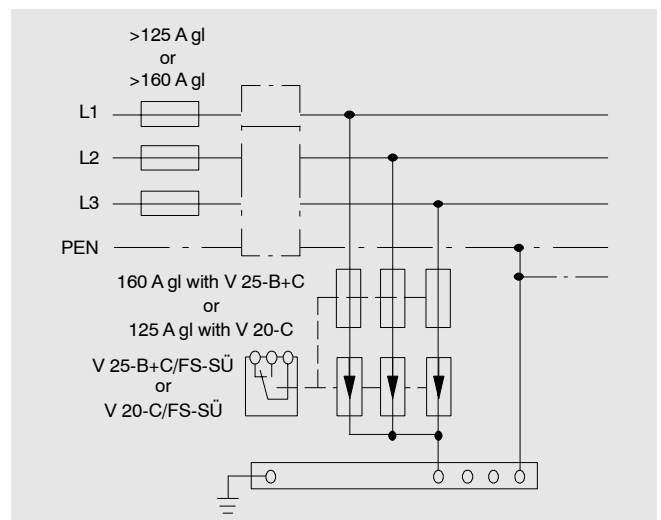
The duct on top of the arrester block covers the connections of the monitoring module to the three-phase network. In this way the applied voltage is monitored. Not only the failure of an arrester is registered, but also the failure of a series-connected fuse.

Mounting

The standard 17.5 mm case of the V 25-B+C/FS-SÜ and V 20-C/FS-SÜ snap-fits to a 35 mm top-hat rail. Screwless terminals keep installation time short.



Block diagram of OBO V 20-C/3-FS-SÜ



Installation example

Test marks



Other marks



Technical data

Signalling device OBO V 25-B+C/FS-SÜ or V 20-C/FS-SÜ monitoring module		
Nominal voltage	U_N	3/400 V (50-60 Hz)
Rated load current	I_L	12 mA
Switching voltage	U	0 ... 250 V
Max. switching voltage	$U_{\sim \max.}$	250 V
Max. switching current	$I_{\sim \max.}$	3 A
Connection cross-section single-stranded, multi-stranded, fine-stranded fine-stranded with: core end sleeve, pin cable lug, crimp sleeve		0.14-2.5 mm ²
Stripping length for connecting cables		6-7 mm
Signal contact	NO (make) NC (break)	1-2 1-3
Mounting		Snap-fitting on 35 mm top-hat rail to DIN EN 50022
Subject to technical alterations		

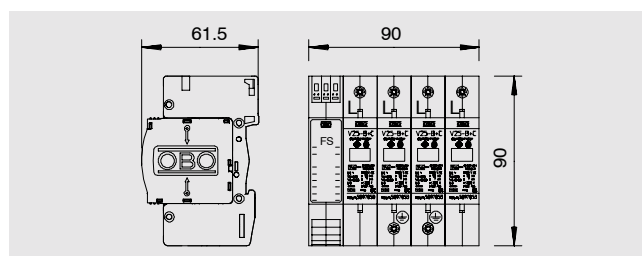
Ordering data

Type	Description	Order no.
V 25-B+C/3-FS-SÜ	3-pole complete ¹⁾ with FS-SÜ ³⁾ ; 280 V	5097 11 8
V 25-B+C/4-FS-SÜ	4-pole complete ¹⁾ with FS-SÜ ³⁾ ; 280 V	5097 35 5
Type	Description	Order no.
V 20-C/3-FS-SÜ	3-pole complete ¹⁾ with FS-SÜ ³⁾ ; 280 V	5096 25 1
V 20-C/4-FS-SÜ	4-pole complete ¹⁾ with FS-SÜ ³⁾ ; 280 V	5096 27 8
V 20-C/U-3-FS-SÜ	3-pole base ²⁾ with FS-SÜ ³⁾ ;	5096 35 9
V 20-C/U-4-FS-SÜ	4-pole base ²⁾ with FS-SÜ ³⁾ ;	5096 36 7

¹⁾ Complete = upper part and base

²⁾ Suitable for V 25-B+C and V 20-C

³⁾ FS-SÜ = remote signalling and voltage monitoring



Versions of V 25-B+C/...-FS-SÜ and V 20-C/...-FS-SÜ for other voltages are available on request.

Features at a glance V 25-B+C/FS-SÜ, V 20-C/FS-SÜ

Advantages in use

Immediately indicates the failure of only one phase	▶ Simultaneous monitoring of the voltages on the load
Remote signalling and voltage monitoring in one housing	▶ Saves space
Floating contact	▶ Freely definable voltage level at the signalling device
Changeover contact	▶ Can be used as NC or NO (break or make) contact